

**WINDLOADS FOR SINGLE FAMILY, DUPLEX & TOWNHOUSE Per Table  
R301.2(2) FBC 7<sup>th</sup> Edition (2020) Residential  
For Building with Mean Roof Height (MRH) up to 30 feet**

EXPOSURE	INTERIOR		CORNER	
	ZONE 4		ZONE 5	
C	+43.68	-47.32	+43.68	-58.52

Zone 5 is any opening within the corner distance from any corner.

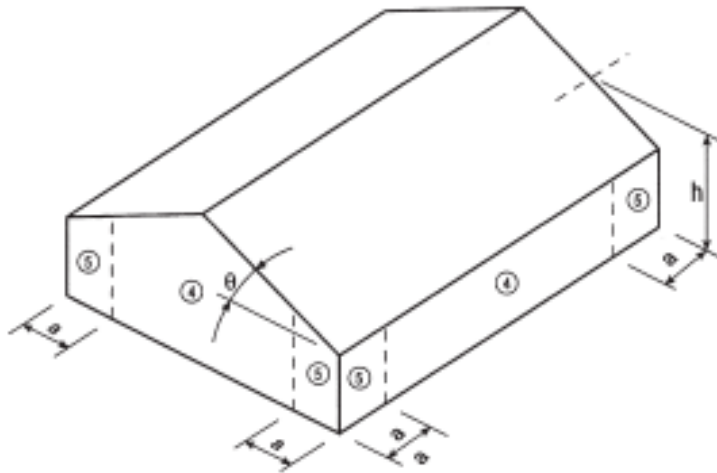
Mean Roof Height (h) = \_\_\_\_\_

Corner distance (a) = \_\_\_\_\_  
the lesser of MRH (Mean Roof Height) x .4  
or W (Width) X .1 but not less than 3 feet

**Garage Door Loads from Table R301.2(4) Building with MRH up 30 feet**

**Basic Wind Speed (Vult) 170MPH – 3 SECOND GUST**

Roof Angle > 10 degrees Effective Area:		Exposure C	
Width (ft)	Height (ft)		
9	7	+38.64	-43.68
16	7	+36.96	-41.16



□ WIDTH (W) IS THE NARROWEST SIDE OF THE BUILDING